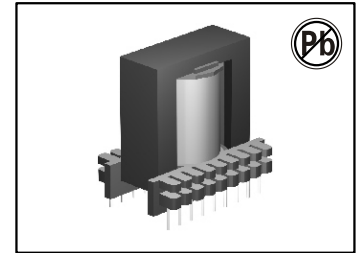


POWER FERRITE TRANSFORMERS

30-60W ERL28 - 4 OUTPUT FLYBACK TRANSFORMERS

FWPT ERL28043 SERIES



FEATURES:

- Primary / Secondary Insulation $\geq 4000V$
- Primary Auxiliary Insulation $\geq 1500V$
- Creepage distances Primary / secondary $\geq 6mm$

OPTIONS:

- Bulk packaging is standard
- Custom design available

COMMON APPLICATIONS:

- AC-DC converters
- DC-DC converters
- Switch Power supplies
- SMPS: Flyback, Forward and Push-pull
- SMPS: Half Bridge and Full Bridge

ELECTRICAL CHARACTERISTICS

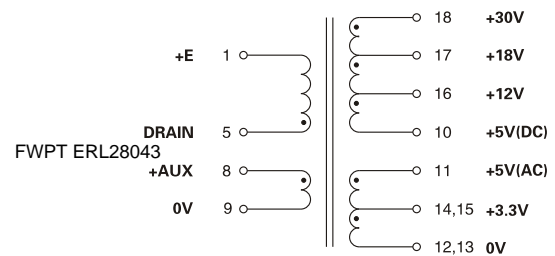
Control IC Manufacturer	Control IC P/N	Input voltage	Power	Frequency
Power Integrations	TOP246Y	185 – 265 Vrms	60 w	66 or 132 kHz
Power Integrations	TOP246Y	85 – 265 Vrms	45 w	66 or 132 kHz

TECHNICAL INFORMATION

- Ambient temperature $< 50^{\circ}C$
- Construction conforms to CEI 950, CEI 335, CEI 61558 for reinforced insulation
- Exclusively uses UL94-VO listed materials

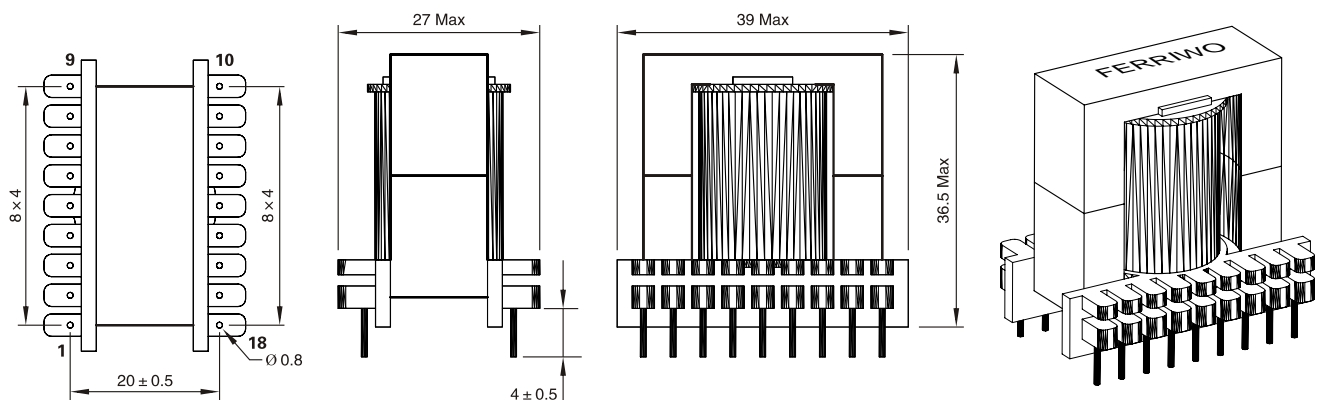
SIZE ETD29 - 4 OUTPUTS : 5 + 12/5 + 12v - FLYBACK TRANSFORMER

Part Number	Output Power max	Windings					
		Pins	Turns	Voltage	Current max	Inductance (+/-10%)	
FWPT ERL28043	60w	Pri	5-1	45	90 (VOR)	3Apeak	500 μ H
		Aux	8-9	7	15 Vdc	0.5 Adc	
		S1	14+15/12+13	2	3.3 Vdc	7 Adc	
		S2	11/12+13	3	5 Vdc	sum S1+S2	
		S3	16-10	4	12 Vdc	2 Adc	
		S4	17-10	7	18 Vdc	2 Adc	
		S5	18-10	13	30 Vdc	0.5 Adc	



PCB Drilling Diameter = 1.3mm

PHYSICAL CHARACTERISTICS



Note: All dimensions in mm